

Gas Regulator Included



VHP12	2
VHP24	4
VHP36	6

COUNTERTOP COOKING

With 25,000 BTU high heat per burner, the VIONET Countertop Gas Range is a commercial range without an oven. The burners give you the maximum in gas range features, removable burners with the top half of the burner that separates for cleaning and a pilot that lights each burner. Heavy duty cast iron grates are also removable for easy cleaning.

A large control knob for each burner gives you a comfortable feel when turning burners on and off all day. Units are shipped for LP (propane) gas but are easily converted to natural gas with a conversion kit that isn't included.

All Countertop Gas Ranges carry ETL gas and sanitation approvals that meet US gas and sanitation requirements for use in restaurants.

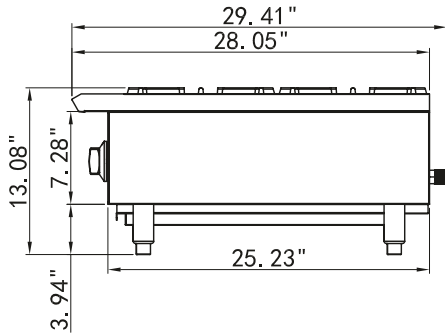
### STANDARD FEATURES

- High Performance 25,000 BTU per individual burner
- Heavy cast iron burners with easy to clean lift off top
- Heavy cast iron removable burner grates
- Each burner has it's own adjustable pilot
- Large individual burner knobs with set screw
- Extended cool to touch front edge
- Removable, easy to clean full width stainless grease catch pan
- All grates are removable for easy cleaning
- Adjustable non-skid Stainless Steel legs

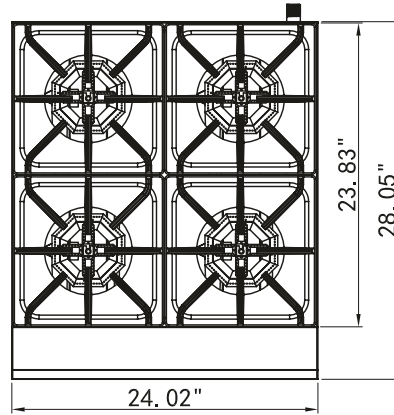
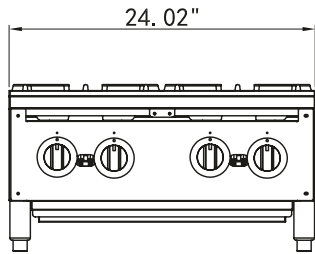
Warranty: VIONET exclusive parts and labor FUSS warranty takes affect from 1 year after end user purchase

- A pressure regulator is provided with this unit.  
Natural Gas 4.0" W.C.  
Propane Gas 10.0" W.C.
- Gas connection is 3/4" NPT (19mm) rear gas connection.
- All equipment is supplied for LP (Propane) Gas, natural conversion kit isn't included.

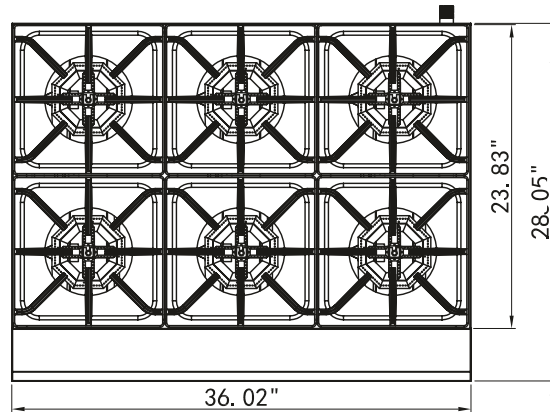
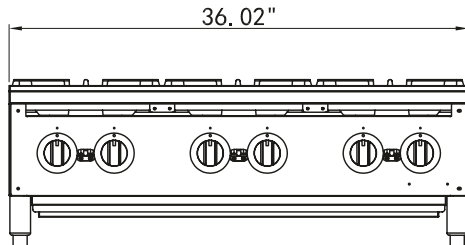
## DETAILS AND DIMENSIONS



VHP24



VHP36



Model	Burners	Dimensions			BTU's (per burner)	Total BTU's	Crated Weight (lbs)
		W	D	H			
VHP12	2	12	28.05	13	25,000	50,000	86
VHP24	4	24	28.05	13	25,000	100,000	168
VHP36	6	36	28.05	13	25,000	150,000	243

As continued product improvement is a policy of Vionet, specifications are subject to change.