



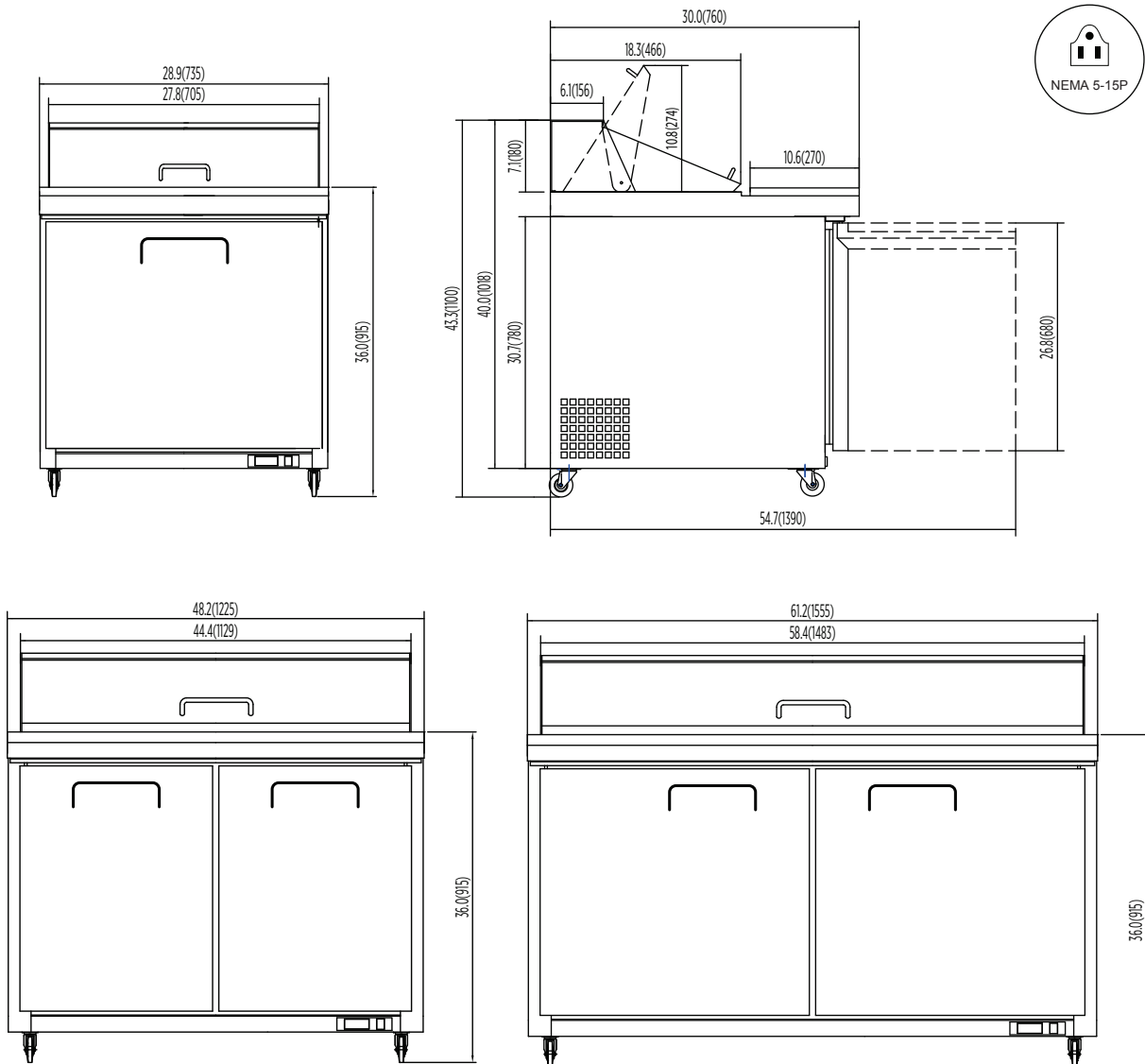
Model	Size
S29-HC	29" Unit
S48-HC	48" Unit
S61-HC	61" Unit

### STANDARD FEATURES

- Solid state thermostat with digital display.
- 1/6 size Lexan pans included.
- Full-length poly-vinyl cutting board included.
- Stainless steel front & sides.
- Self closing doors remain open past 90°.
- Field reversible door (VS29).
- Environmentally friendly HFC134A.
- EZ slide out condenser.
- Whisper quiet.
- Solid construction.
- Full length integrated door handle.
- Casters with two front brakes.
- Cool air intake.
- Zero clearance back and sides.
- 2 year limited warranty.

Items	Description	Items	Description
Front, top & sides	Stainless steel	Temperature control	Solid state thermostat/Digital display
Doors	Stainless steel ABS liner/	Approvals	UL-EPH
External back	Aluminum	Refrigerating system	Capillary tube
Cabinet interior	ABS	Refrigerant	R134a
Interior floor	Stainless steel	Temperature range	-34°-38°F
Insulation	Polyurethane (CFC free)	Evaporator	Powder coated aluminum/copper
Shelves	Heavy duty, PVC coating	Condensing unit	Rear mounted
Cutting board	Vinyl (included)		

Model	Doors	Capacity (cu.ft)	Shelves	Pans	Cabinet Dim (inches)			HP	Voltage	Amps	NEMA Plug	Cord Length	Crated Weight
					L	D	H						
S29-HC	1	7	1	8 (1/6)	28	31.0	43.3	3/8	115/60/1	5	5-15P	10	215
S48-HC	2	12	2	12 (1/6)	48.25	31.0	43.3	1/2	115/60/1	7	5-15P	10	300
S61-HC	2	15.5	2	16 (1/6)	61.25	31.0	43.3	1/2	115/60/1	7	5-15P	10	385



As continued product improvement is a policy of Vionet, specifications are subject to change.