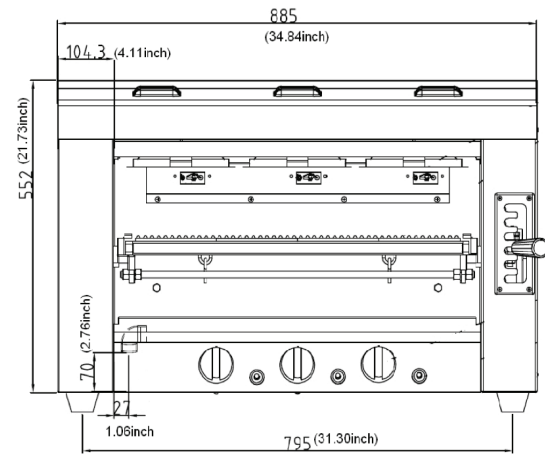
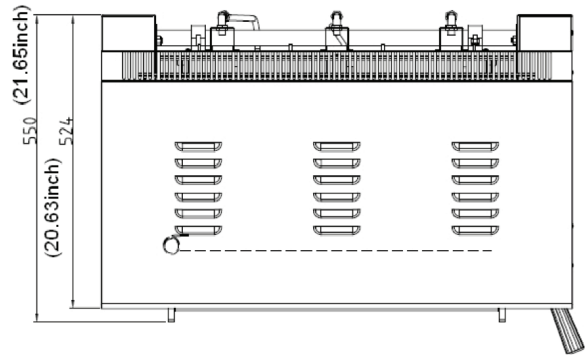
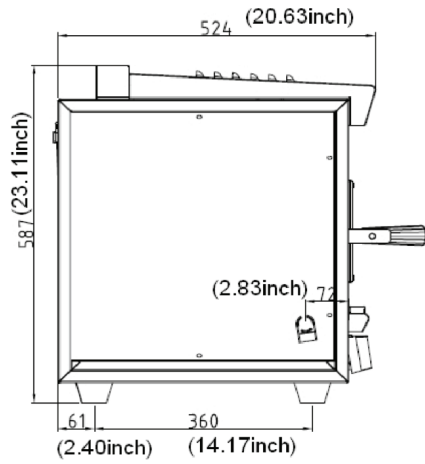
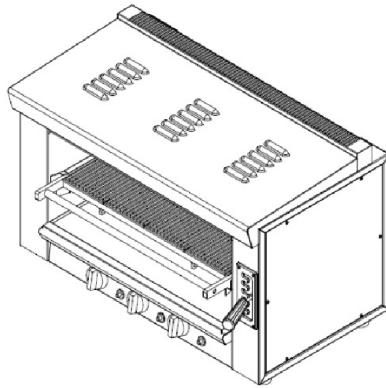



**STANDARD FEATURES**

- Salamander Broiler 36"
- LP Gas
- 3 infrared burners, each 12600 BTU
- Piezo igniter
- Cast zinc alloy knobs
- High efficiency
- Equipped with adjustable 6-position rack
- Stainless steel construction

<b>Model</b>		VIOREB-02-LP	
Dimensions (mm)		887.1*617.7* 589.7	
Thermal power (BTU)		35000	
Gas Type	LPG	Pressure (Pa)	2540
		Consumption (Kg/h)	0.93
	NG	Pressure (Pa)	1000
		Consumption (M <sup>3</sup> /h)	1.11
Gas Inlet Size		Rc 1/2"	
Weight (kg)		72.3	



As continued product improvement is a policy of Vionet, specifications are subject to change.